

# Service Manual

 **PIONEER**<sup>®</sup>  
The Art of Entertainment

ORDER NO.  
RRV1916

STEREO CD CASSETTE DECK RECEIVER

# XR-A100 XR-A100-K

● Refer to the service manual RRV1883 for XR-A100-K/KCXJ .

THIS MANUAL IS APPLICABLE TO THE FOLLOWING MODEL(S) AND TYPE(S).

Type	Model		Power Requirement	Remarks
	XR-A100	XR-A100-K		
MYXK	○	○	AC220-230V	
NVXK	○	○	AC230V	
YPWXJ	○	—	AC240V	

## CONTENTS

1. SAFETY INFORMATION .....	2
2. CONTRAST OF MISCELLANEOUS PARTS .....	3
3. SCHEMATIC DIAGRAM .....	10
4. PCB CONNECTION DIAGRAM .....	19
5. ADJUSTMENT .....	27

**PIONEER ELECTRONIC CORPORATION** 4-1, Meguro 1-Chome, Meguro-ku, Tokyo 153-8654, Japan  
**PIONEER ELECTRONICS SERVICE, INC.** P.O. Box 1760, Long Beach, CA 90801-1760, U.S.A.  
**PIONEER ELECTRONIC (EUROPE) N.V.** Haven 1087, Keetberglaan 1, 9120 Melsele, Belgium  
**PIONEER ELECTRONICS ASIACENTRE PTE. LTD.** 501 Orchard Road, #10-00 Lane Crawford Place, Singapore 0923  
© PIONEER ELECTRONIC CORPORATION 1998

# 1. SAFETY INFORMATION

This service manual is intended for qualified service technicians; it is not meant for the casual do-it-yourselfer. Qualified technicians have the necessary test equipment and tools, and have been trained to properly and safely repair complex products such as those covered by this manual. Improperly performed repairs can adversely affect the safety and reliability of the product and may void the warranty. If you are not qualified to perform the repair of this product properly and safely, you should not risk trying to do so and refer the repair to a qualified service technician.

## LABEL CHECK

MYXK Type

**VARO!**

Avattaessa ja suojalukitus ohitettaessa olet alttiina näkymättömälle lasersäteilylle. Älä katso säteeseen.

**WARNING!**

Osynlig laserstrålning när denna del är öppnad och spärren är urkopplad. Betrakta ej strålen.

PRW1233

IMPORTANT

THIS PIONEER APPARATUS CONTAINS LASER OF CLASS 1.

SERVICING OPERATION OF THE APPARATUS SHOULD BE DONE BY A SPECIALLY INSTRUKED PERSON.

LASER DIODE CHARACTERISTICS

MAXIMUM OUTPUT POWER: 5 mw

WAVELENGTH: 780 - 785 nm

MYXK Type

**ADVARSEL**

USYNLIG LASERSTRÅLING VED ÅBNING NÅR SIKKERHED SAFBRYDERE ER UDE AF FUNKTION. UNDGÅ UDSÆTTELSE FOR STRÅLING.

**VORSICHT!**

UNSICHTBARE LASER-STRÅHLUNG TRITT AUS, WENN DECKEL (ODER KLAPPE) GEÖFFNET IST! NICHT DEM STRAHL AUSSETZEN!

VRW1094

NVXK Type

**CAUTION**

**INVISIBLE LASER RADIATION WHEN OPEN, AVOID EXPOSURE TO BEAM**

ARW1050

Additional Laser Caution

- Laser Interlock Mechanism**  
The position of the switch (S8501) for detecting loading state is detected by the system microprocessor, and the design prevents laser diode oscillation when the switch (S8501) is pressed physically. Thus, the interlock will no longer function if the switch (S8501) is released physically and deliberately. The interlock also does not function in the test mode \*. Laser diode oscillation will continue, if pin 62 of LA9240ML (IC8101) on the CD ASSY mounted on the \$M Loading Mechanism assembly is connected to GND, or else the terminals of Q8101 are shorted to each other (fault condition).
- When the cover is opened, close viewing of the objective lens with the naked eye will cause exposure to a Class 1 laser beam.

**CLASS 1 LASER PRODUCT**

Name Label

MYXK, NVXK and YPWXJ Types

\* : Refer to page 52 on the service manual RRV1883.

## 2. CONTRAST OF MISCELLANEOUS PARTS

NOTES: ●Parts marked by "NSP" and ⊗ can not be supplied.

●The Δ mark found on some component parts indicates the importance of the safety factor of the part. Therefore, when replacing, be sure to use parts of identical designation.

●When ordering resistors, first convert resistance values into code form as shown in the following examples.

Ex.1 When there are 2 effective digits (any digit apart from 0), such as 560 ohm and 47k ohm (tolerance is shown by J=5%, and K=10%).

560 Ω → 56 × 10<sup>1</sup> → 561 ..... RD1/4PU 5 6 1 J  
 47k Ω → 47 × 10<sup>3</sup> → 473 ..... RD1/4PU 4 7 3 J  
 0.5 Ω → R50 ..... RN2H R 5 0 K  
 1 Ω → 1R0 ..... RS1P 1 R 0 K

Ex.2 When there are 3 effective digits (such as in high precision metal film resistors).

5.62k Ω → 562 × 10<sup>1</sup> → 5621 ..... RN1/4PC 5 6 2 1 F

●Reference Nos. indicate the pages and Nos. in the service manual for the base model.

### ■ CONTRAST TABLE

XR-A100/MYXK, NVXK, YPWXJ, XR-A100-K/MYXK, NVXK and XR-A100-K/KCXJ are constructed the same except for the following :

Ref. No.	Mark	Symbol and Description	Part No.						Remarks
			XR-A100-K /KCXJ	XR-A100 /MYXK	XR-A100 /NVXK	XR-A100 /YPWXJ	XR-A100-K /MYXK	XR-A100-K /NVXK	
P7- 1	⊗	AF Assy	XWM3004	XWM3007	XWM3007	XWM3001	XWM3007	XWM3007	*1
	NSP	POWER SUPPLY Assy	XWM3005	AWM7260	AWM7260	AWM7283	AWM7260	AWM7260	
P7- 2	⊗	—TRANS Assy	XWZ3010	AWZ8547	AWZ8547	AWZ8538	AWZ8547	AWZ8547	*1
P7- 3	⊗	—POWER Assy	XWZ3011	AWZ8548	AWZ8548	AWZ8534	AWZ8548	AWZ8548	*1
P7-29	⊗	—POWER Assy 2	XWZ3012	Not used	Not used	Not used	Not used	Not used	
P7-30	⊗	—TRANS 2 Assy	XWZ3013	Not used	Not used	Not used	Not used	Not used	
	NSP	COMPLEX Assy	XWM3006	XWM3008	XWM3008	XWM3002	XWM3008	XWM3008	
P9- 1	⊗	—DECK Assy	XWZ3007	XWZ3017	XWZ3017	XWZ3002	XWZ3017	XWZ3017	
P9- 4	⊗	—DISPLAY Assy	XWZ3014	XWZ3016	XWZ3016	XWZ3001	XWZ3016	XWZ3016	
P9- 5	⊗	—LCD Assy	XWZ3015	XWZ3018	XWZ3018	XWZ3006	XWZ3018	XWZ3018	
P9- 6	⊗	—LAMP Assy	XWZ3008	XWZ3024	XWZ3024	XWZ3008	XWZ3024	XWZ3024	
P7- 4	⊗	FM/AM TUNER MODULE	AXQ7061	AXQ7077*2	AXQ7077*2	AXQ7061	AXQ7077*2	AXQ7077*2	
P3-1		FM Antenna	ADH7004	ADH7005	ADH7005	ADH7004	ADH7005	ADH7005	
P3-2		Operating Instructions (English/French/Spanish)	XRE3005	Not used	Not used	XRE3005	Not used	Not used	
		Operating Instructions (French/German/Dutch)	Not used	XRC3001	Not used	Not used	XRC3001	Not used	
		Operating Instructions (Italian/Swedish/Russian)	Not used	XRC3002	Not used	Not used	XRC3002	Not used	
		Operating Instructions (English/Spanish/Portuguese)	Not used	XRE3006	Not used	Not used	XRE3006	Not used	
		Operating Instructions (English)	Not used	Not used	XRB3001	Not used	Not used	XRB3001	
P3-3		AM Loop Antenna	XTB3001	ATB7007	ATB7007	XTB3001	ATB7007	ATB7007	
P3-4		Remote Control Unit (CU-XR040)	XZN3002	XZN3002	XZN3002	Not used	XZN3002	XZN3002	
P3-4		Remote Control Unit (CU-XR039)	Not used	Not used	Not used	XZN3003	Not used	Not used	
P3-10		Packing Case	XHD3008	XHD3010	XHD3010	XHD3007	XHD3031	XHD3031	
P3-11		Packing Sheet	AHG7003	AHG7001	AHG7001	AHG7003	AHG7001	AHG7001	

Notes \*1 : Refer to "PCB PARTS LIST", "3. SCHEMATIC DIAGRAM" and "4. PCB CONNECTION DIAGRAM".

\*2 : Refer to "PCB PARTS LIST", "3. SCHEMATIC DIAGRAM", "4. PCB CONNECTION DIAGRAM" and "5. ADJUSTMENT".

# XR-A100, XR-A100-K

Ref. No.	Mark	Symbol and Description	Part No.						Remarks
			XR-A100-K /KCXJ	XR-A100 /MYXK	XR-A100 /NVXK	XR-A100 /YPWXJ	XR-A100-K /MYXK	XR-A100-K /NVXK	
P3-12	NSP	Warranty Card	ARY1075	ARY7010	ARY7010	PRY1003	ARY7010	ARY7010	
P5-6		Tray Cap	XAK3016	XAK3008	XAK3008	XAK3008	XAK3016	XAK3016	
P5-7		Display Panel	XAK3005	XAK3005	XAK3005	XAK3003	XAK3005	XAK3005	
P5-8		Bonnet Case	XZN3005	XZN3001	XZN3001	XZN3001	XZN3005	XZN3005	
P5-13	NSP	ICP & 65 Label	AAX7521	Not used	Not used	Not used	Not used	Not used	
P7-31		PVC Barrier	AEC7074	ANK7029	ANK7029	ANK7029	ANK7029	ANK7029	
P7-5	△	Power Transformer (AC120V)	XTS3004	Not used	Not used	Not used	Not used	Not used	
P7-5	△	Power Transformer (AC220-230V)	Not used	ATS7142	ATS7142	Not used	ATS7142	ATS7142	
P7-5	△	Power Transformer (AC240V)	Not used	Not used	Not used	ATS7139	Not used	Not used	
P7-6	△	Fuse (3.15A, FU1)	REK1081	Not used	Not used	Not used	Not used	Not used	
P7-6	△	Fuse (T1A, FU1)	Not used	AEK1054	AEK1054	Not used	AEK1054	AEK1054	
P7-6	△	Fuse (1A, FU1)	Not used	Not used	Not used	REK1022	Not used	Not used	
P7-7	△	AC Power Cord	PDG1057	ADG7008	ADG7007	ADG1159	ADG7008	ADG7007	
	△	Fuse (T5A) (With in AC Plug)	Not used	Not used	AEK7001	Not used	Not used	AEK7001	
P7-10		GND Plate	ANG7106	ANG7131	ANG7131	ANG7106	ANG7131	ANG7131	
P7-12		Shield Plate	ANG7132	ANG7118	ANG7118	ANG7118	ANG7118	ANG7118	
P7-13		Heat Sink	ANH7063	ANH7047	ANH7047	ANH7059	ANH7047	ANH7047	
P7-15		Rear Cover	AMC7011	AMC7003	AMC7003	AMC7003	AMC7003	AMC7003	
P7-16		Strain Relief	CM-22C	CM-22B	CM-22B	CM-22B	CM-22B	CM-22B	
P7-26	NSP	Name Label	XAX3009	XAX3012	XAX3011	XAX3008	XAX3062	XAX3064	
P7-28		Bracket C	ANG7127	Not used	Not used	Not used	Not used	Not used	
P9-23	NSP	Front Panel Assy	XXG3008	XXG3006	XXG3006	XXG3002	XXG3010	XXG3010	
P9-24		Function Button	XAD3004	XAD3001	XAD3001	XAD3001	XAD3004	XAD3004	
P9-30		Door Pocket L	XAN3003	XAN3001	XAN3001	XAN3001	XAN3003	XAN3003	
P9-31		Door Pocket R	XAN3004	XAN3002	XAN3002	XAN3002	XAN3004	XAN3004	
P9-32		Front Panel	XMB3008	XMB3006	XMB3006	XMB3002	XMB3010	XMB3010	
		DOC Label B	DRW1685	Not used	Not used	Not used	Not used	Not used	
		Bracket A	Not used	ANG7100	ANG7100	ANG7100	ANG7100	ANG7100	*3, No. 1
		Screw (for Bracket A)	Not used	BBZ30P120FMC	BBZ30P120FMC	BBZ30P120FMC	BBZ30P120FMC	BBZ30P120FMC	*3, No. 2
		Screw (for Shield Plate)	Not used	BCZ40P060FZK	BCZ40P060FZK	BCZ40P060FZK	BCZ40P060FZK	BCZ40P060FZK	*3, No. 3
		Ceramic Capacitor	Not used	CKCYB122K50	CKCYB122K50	Not used	CKCYB122K50	CKCYB122K50	*4
		Caution Label HE	Not used	PRW1233	Not used	Not used	PRW1233	Not used	*5
	NSP	Caution Label	Not used	VRW1094	Not used	Not used	VRW1094	Not used	*5
		Caution Label	Not used	Not used	ARW1050	Not used	Not used	ARW1050	*5
		MIC Knob	Not used	Not used	Not used	XAB3001	Not used	Not used	*6

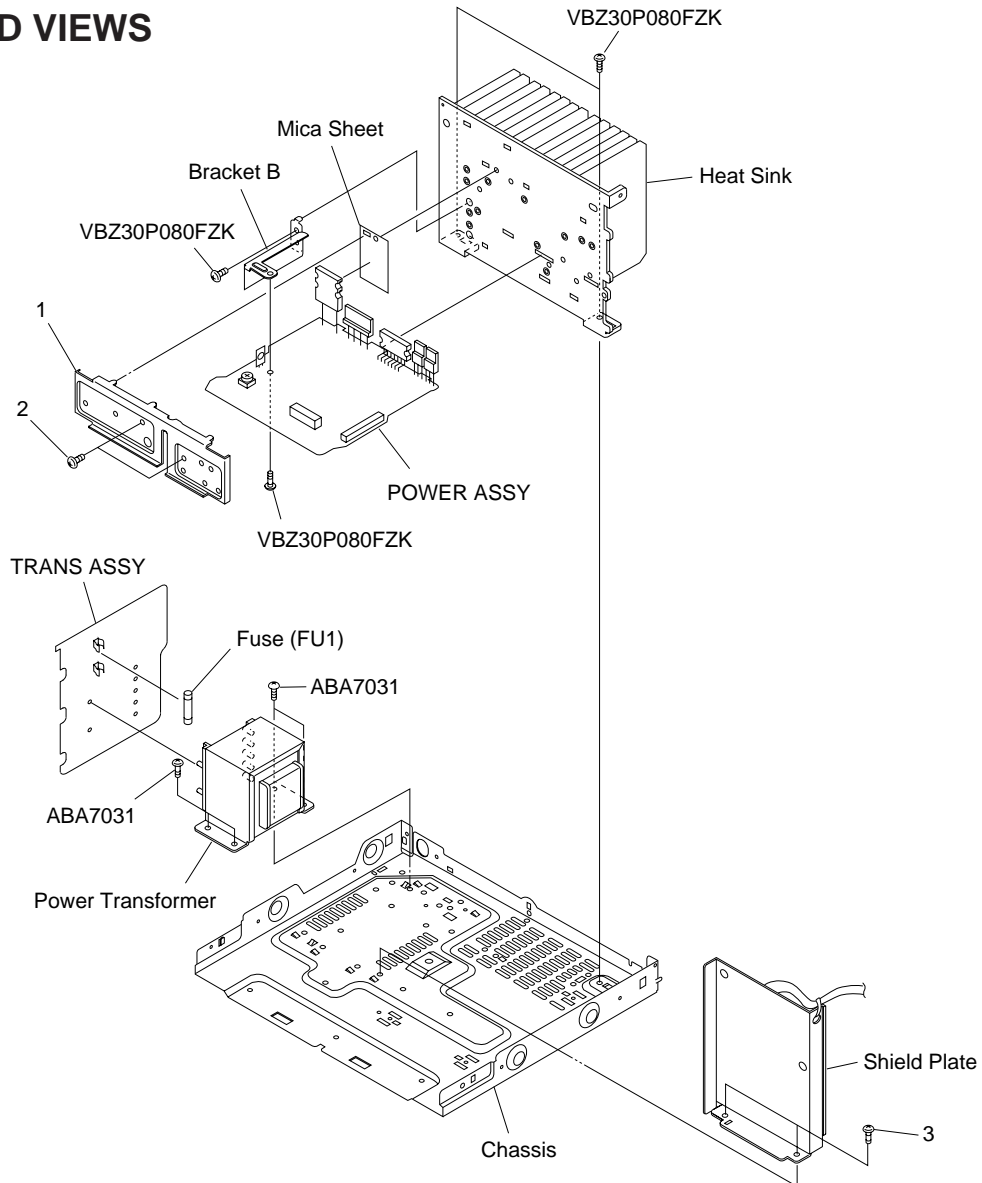
Notes \*3 : The numbers in the remarks column correspond to the numbers on the "EXPLODED VIEWS".

\*4 : Solder to the FM/AM TUNER MODULE and the GND Plate (ANG7131).

\*5 : Refer to page 2.

\*6 : For MIC LEVEL control (DISPLAY ASSY : VR2501).

■ EXPLODED VIEWS



■ CONTRAST OF PCB ASSEMBLIES

**F DECK ASSY**

XWZ3017, XWZ3002 and XWZ3007 are constructed the same except for the following :

Mark	Symbol and Description	Part No.			Remarks
		XWZ3007	XWZ3017	XWZ3002	
	L4251	Not used	LAU100J	Not used	
	C4221, C4222	CQMBA273J50	CQMBA273J50	CQMBA333J50	
	C4227, C4228	CKCYB222K50	CKCYB222K50	CKCYB152K50	
	C4255	Not used	CKCYB102K50	Not used	
	C4257	Not used	CEAT1R0M50	Not used	
	C4501, C4503	Not used	CCDSL181J50	Not used	
	C4502	Not used	CCCSL181J50	Not used	
	C4504	Not used	CCCSL151J50	Not used	
	C4601, C4602	Not used	CCCSL470J50	Not used	
	C4603, C4604	Not used	CCCSL101J50	Not used	
	C4605	Not used	CKDYB182K50	Not used	

# XR-A100, XR-A100-K

## **M**F DISPLAY ASSY

XWZ3016, XWZ3001 and XWZ3014 are constructed the same except for the following :

Mark	Symbol and Description	Part No.			Remarks
		XWZ3014	XWZ3016	XWZ3001	
	IC2501	Not used	Not used	NJM4558LD	
	L2551	Not used	Not used	LAU1R0K	
	S1811- S1825	ASG1051	ASG1034	ASG1051	
	C1202, C1203	CKPUYF103Z25	Not used	CKPUYF103Z25	
	C1251, C1252	Not used	CKPUYF103Z25	Not used	
	C2501	Not used	Not used	CKPUYB331K50	
	C2502, C2503, C2508	Not used	Not used	CEJA2R2M50	
	C2504	Not used	Not used	CGCYX473K25	
	C2505	Not used	Not used	CEJA4R7M50	
	C2506	Not used	Not used	CEJA330M25	
	C2507	Not used	Not used	CQMBA104J50	
	C2554	Not used	Not used	CKPUYB102K50	
	R1201, R1202	RS1LMF331J	RD1/2PMF151J	RD1/2PMF151J	
	R2501, R2502	Not used	Not used	RD1/4PU332J	
	R2504	Not used	Not used	RD1/4PU104J	
	R2505	Not used	Not used	RD1/4PU102J	
	R2506	Not used	Not used	RD1/4PU473J	
	R2507	Not used	Not used	RD1/4PU751J	
	R2508, R2509	Not used	Not used	RD1/4PU103J	
	R2510	Not used	Not used	RD1/4PU101J	
	VR2501 (10kΩ)	Not used	Not used	VCS1021	
	JA2501, JA2502 (MIC JACK)	Not used	Not used	AKN7004	

## **O**F LCD ASSY

XWZ3018, XWZ3006 and XWZ3015 are constructed the same except for the following :

Mark	Symbol and Description	Part No.			Remarks
		XWZ3015	XWZ3018	XWZ3006	
	D1905	1SS254	Not used	Not used	
	D1906	Not used	1SS254	Not used	
	C1903 (0.047F)	ACH7013	ACH1246	ACH7013	

## **N**F LAMP ASSY

XWZ3024 and XWZ3008 are constructed the same except for the following :

Mark	Symbol and Description	Part No.		Remarks
		XWZ3008	XWZ3024	
	Q1841	Not used	2SA1560	
	Q1842	Not used	2SC4040	
	D1841, D1842	Not used	1SS254	
	R1841	Not used	RD1/4PU471J	
	R1842	Not used	RD1/4PU472J	
	R1843	Not used	RD1/4PU102J	
	R1845	Not used	RS2LMF151J	
	PL1901, PL1902	Not used	AEL7007	



# XR-A100, XR-A100-K

Mark No.	Description	Parts No.
D1053, D1056 D1055 D1051, D1052, D1057		MTZJ15A MTZJ18B S5688G

## COILS AND FILTERS

L2101	LAU1R0J
-------	---------

## CAPACITORS

C2123, C2124 C2111, C2112 C1056-C1058, C2161 C1059 C2162	CCCSL101J50 CEASR68M50 CEAT100M50 CEAT101M10 CEAT1R0M50
C2141 C2101-C2104, C2107-C2110 C2125, C2126, C2151, C2152, C2156 C2163 C2153	CEAT221M10 CEAT2R2M50 CEAT2R2M50 CEAT2R2M50 CEAT330M25
C2121, C2122, C2142 C2255 C1062, C1063, C1067, C1070 C2171, C2172, C2184, C2260 C1053	CEAT470M25 CKCYB102K50 CKCYB152K50 CKCYB152K50 CKCYB222K50
C1055 C1052, C1054, C2119, C2120 C2131, C2132 C2155 C2117, C2118	CKCYB471K50 CKCYB472K50 CKCYB682K50 CQMA224J50 CQMBA222J50
C2113, C2114 C2154 C2115, C2116	CQMBA393J50 CQMBA473J50 CQMBA563J50

## RESISTORS

All Resistors	RD1/4PU□□□J
---------------	-------------

## OTHERS

CN1201 CN1052 CN1053 CN1054 CN1051	SPEAKER TERMINAL 4-P FFC CONNECTOR 20P FFC CONNECTOR 40P 14P PLUG 17P PLUG	AKE7035 HLEM20R-1 HLEM40S-1 KM200IB14 KM200TA17
JA2101	2P PIN JACK	VKB1050

## KF AF ASSY (XWM3007)

### SEMICONDUCTORS

IC2101 IC1051 Q1054 Q1051 Q1052, Q1053, Q1056, Q2161	LC75394NED NJM78M12FA 2SA1048 2SA1560 2SC2458
Q1055 D2101-D2103, D2161, D2171 D1054 D1053, D1056 D1055	2SC4040 1SS254 MTZJ11C MTZJ15A MTZJ18B

Mark No.	Description	Parts No.
D1051, D1052, D1057		S5688G

## COILS AND FILTERS

L1051-L1054 (5.3μH) L2101	ATH-059 LAU1R0J
------------------------------	--------------------

## CAPACITORS

C1061, C1064, C1068, C1069 C2123, C2124, C2180, C2182 C1056-C1058, C2161 C1059 C2162	CCCSL101J50 CCCSL101J50 CEAT100M50 CEAT101M10 CEAT1R0M50
C2141 C2101-C2104, C2107-C2109 C2125, C2126, C2134, C2163 C2121, C2122, C2142 C2111, C2112	CEAT221M10 CEAT2R2M50 CEAT2R2M50 CEAT470M25 CEATR47M50
C2170, C2255 C1062, C1063, C1067, C1070 C2171, C2172, C2181, C2183, C2184 C2260 C1053	CKCYB102K50 CKCYB152K50 CKCYB152K50 CKCYB152K50 CKCYB222K50
C1055, C2127, C2128 C1052, C1054, C2119, C2120 C2131, C2132 C2117, C2118 C2113-C2116	CKCYB471K50 CKCYB472K50 CKCYB682K50 CQMBA222J50 CQMBA563J50

## RESISTORS

R1062-R1065 Other Resistors	RD1/4LMF101J RD1/4PU□□□J
--------------------------------	-----------------------------

## OTHERS

CN1201 CN1052 CN1053 CN1054 CN1051	SPEAKER TERMINAL 4-P FFC CONNECTOR 20P FFC CONNECTOR 40P 14P PLUG 17P PLUG	AKE7035 HLEM20R-1 HLEM40S-1 KM200IB14 KM200TA17
JA2101	2P PIN JACK	VKB1050

## AF TRANS ASSY

### (1) CONTRAST TABLE

AWZ8547 and AWZ8538 are constructed the same except for the following :

Mark	Symbol and Description	Part No.		Remarks
		AWZ8547	AWZ8538	
⚠ ⚠	L101 C102 H103, H104	ATF-151 ACG7020 AKR1003	Not used Not used AKR1004	

### (2) PARTS LIST FOR AWZ8547

#### COILS AND FILTERS

⚠ L101	ATF-151
--------	---------

#### CAPACITORS

⚠ C102 (10000pF/250V) C101	ACG7020 CEANP1R0M50
-------------------------------	------------------------



Mark No.	Description	Parts No.
<b>RESISTORS</b>		
△ R101		RF1/4PS100J
<b>OTHERS</b>		
H103, H104	FUSE CLIP TERMINAL	AKR1003 RKC-061

Mark No.	Description	Parts No.
<b>RESISTORS</b>		
R1011		RD1/2PM472J
△ R1221, R1222		RD1/2PMF181J
△ R1008		RD1/4PMF4R7J
R1251		RS1LMF1R0J
R1016		RS2LMF330J
VR1001 (1.0kΩ)		RCP1044
Other Resistors		RD1/4PU□□□J

## CF POWER ASSY

### (1) CONTRAST TABLE

AWZ8548 and AWZ8534 are constructed the same except for the following :

Mark	Symbol and Description	Part No.		Remarks
		AWZ8548	AWZ8534	
	C1094-C1097	CKCYB102K50	Not used	
	C1201, C1202	CKCYB102K50	CKCYB222K50	
	C1203, C1204	CEASR47M50	CEASR10M50	
	C1205	CFTYA473J50	CKCYF473Z50	

### OTHERS

CN1001	17P SOCKET	KP200TA17L
CN1002	8P JUMPER CONNECTOR	KPD8
KN1001	EARTH METAL FITTING	VNF1084

### (2) PARTS LIST FOR AWZ8548

#### SEMICONDUCTORS

△ IC1003, IC1202	PROTECTOR (400mA/125V)	AEK7004
△ IC1004	PROTECTOR (1A/125V)	AEK7009
△ IC1005	PROTECTOR (2A/125V)	AEK7013
△ IC1002		NJM4558D-D
△ IC1001		NJM78M05FA
△ IC1201		TDA8560Q
△ Q1005, Q1201, Q1202, Q1204		2SA1048
△ Q1002, Q1003		2SB1375
△ Q1004, Q1008, Q1203		2SC2458
△ Q1007		2SC4040
△ Q1001		2SC5200(P)
△ Q1006		2SD2012
△ D1004, D1008, D1012, D1014		1SS254
△ D1202-D1204		1SS254
△ D1001		D3SBA20
D1011, D1013, D1058		MTZJ20A
D1201		MTZJ4.7B
D1003, D1010		MTZJ6.8A
D1009		S5688G

#### CAPACITORS

C1005	CCCSL331J50
C1006	CCCSL680J50
C1003, C1007, C1208	CEAS100M50
C1206	CEAS101M10
C1211	CEAS101M35
C1209	CEAS1R0M50
C1002	CEAS2R2M50
C1004, C1207	CEAS330M25
C1051	CEAS331M50
C1203, C1204	CEASR47M50
C1205	CFTYA473J50
C1094-C1097, C1201, C1202	CKCYB102K50
C1251	CKCYF473Z50
C1001 (4700μF/50V)	RCH1142

# 3. SCHEMATIC DIAGRAM

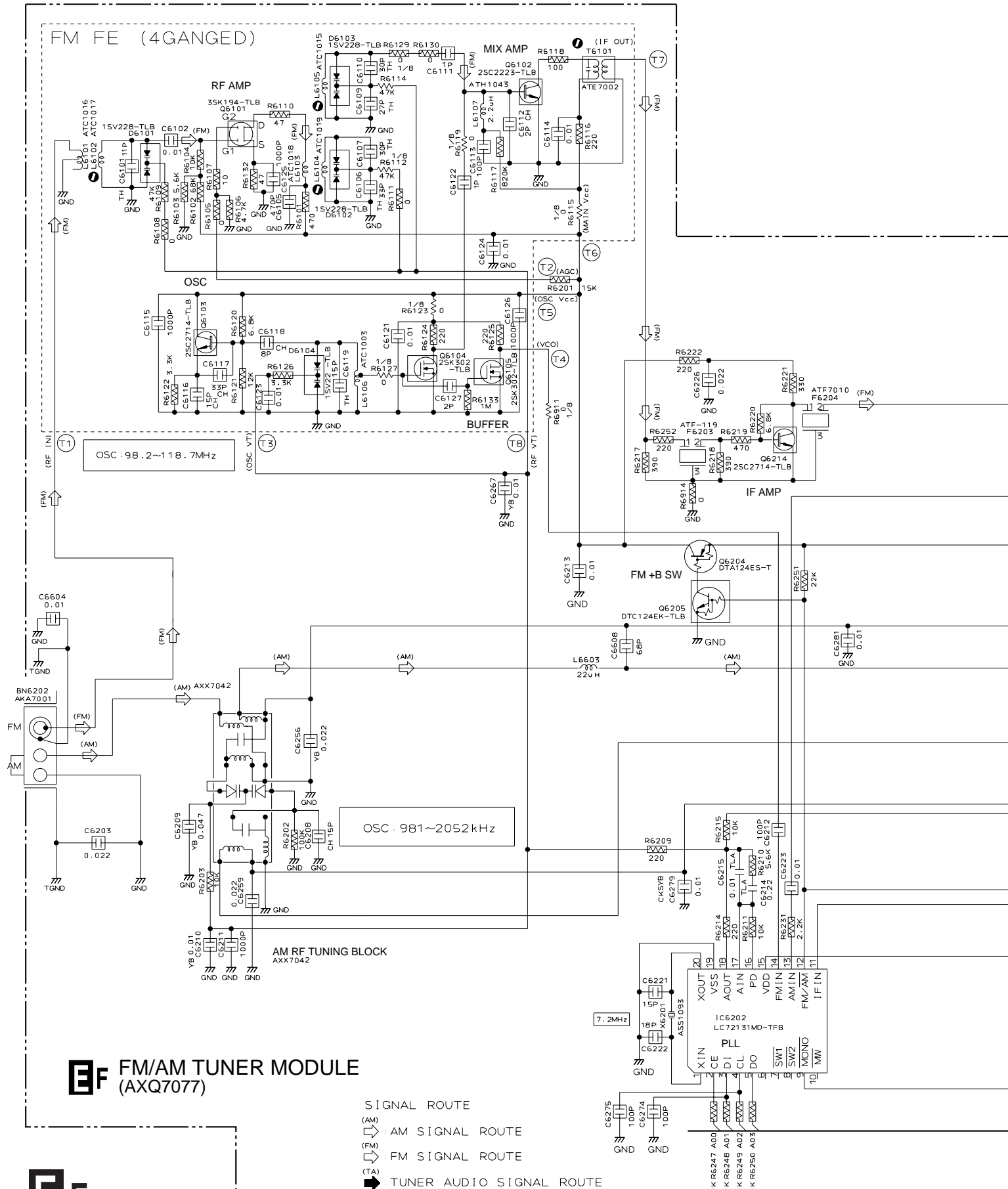
## 3.1 FM/AM TUNER MODULE (MYXK and NVXK types)

A

B

C

D



**FM/AM TUNER MODULE (AXQ7077)**

- SIGNAL ROUTE
- (AM) : AM SIGNAL ROUTE
  - (FM) : FM SIGNAL ROUTE
  - (TA) : TUNER AUDIO SIGNAL ROUTE



Note : When ordering service parts, be sure to refer to "EXPLODEDVIEWS and PARTS LIST" or "PCB PARTS LIST"

Notes

1. RESISTORS

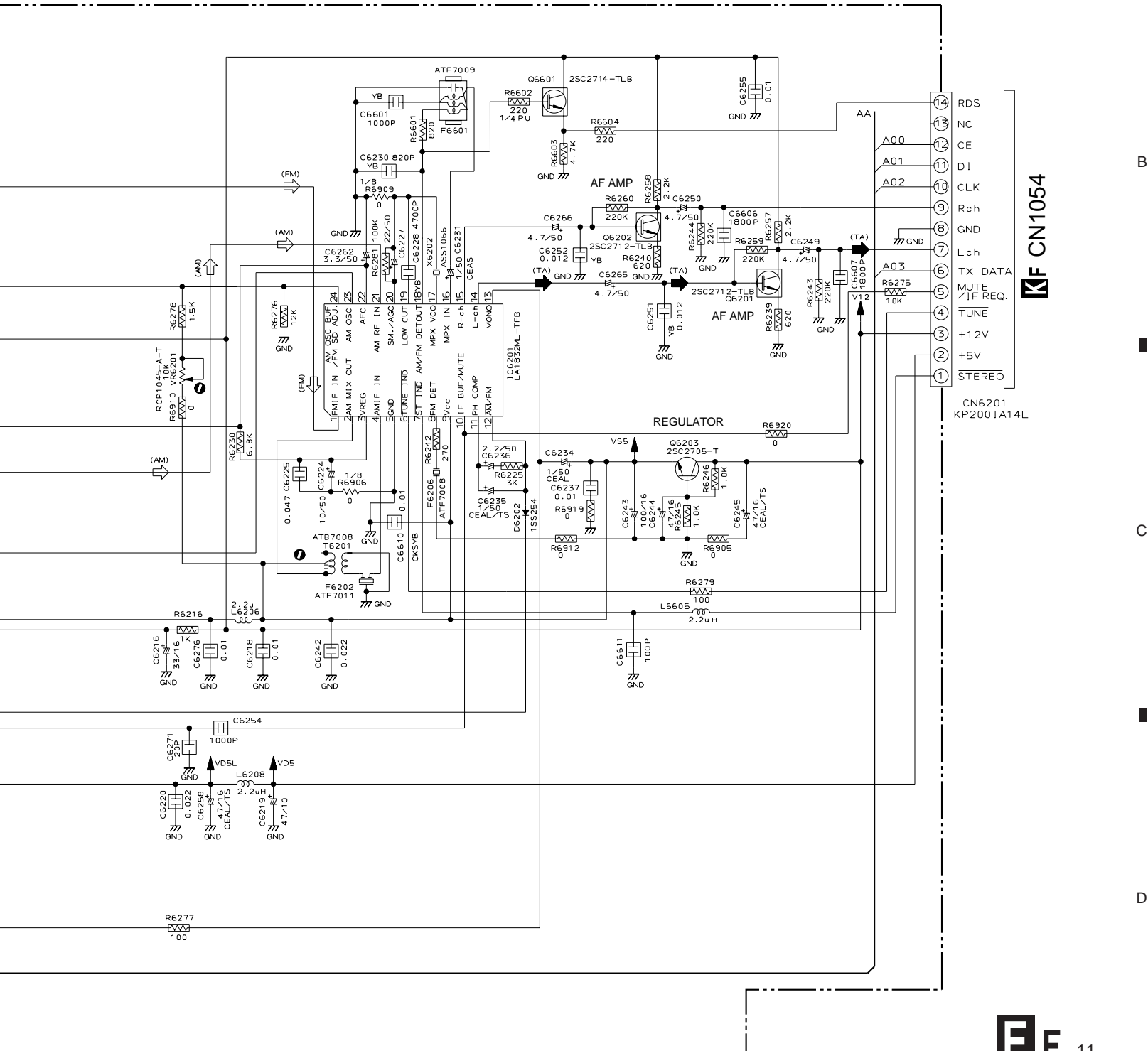
Indicated in Ω, 1/10W±5% Tolerance unless otherwise noted K:KΩ, M:MΩ.

2. CAPACITORS

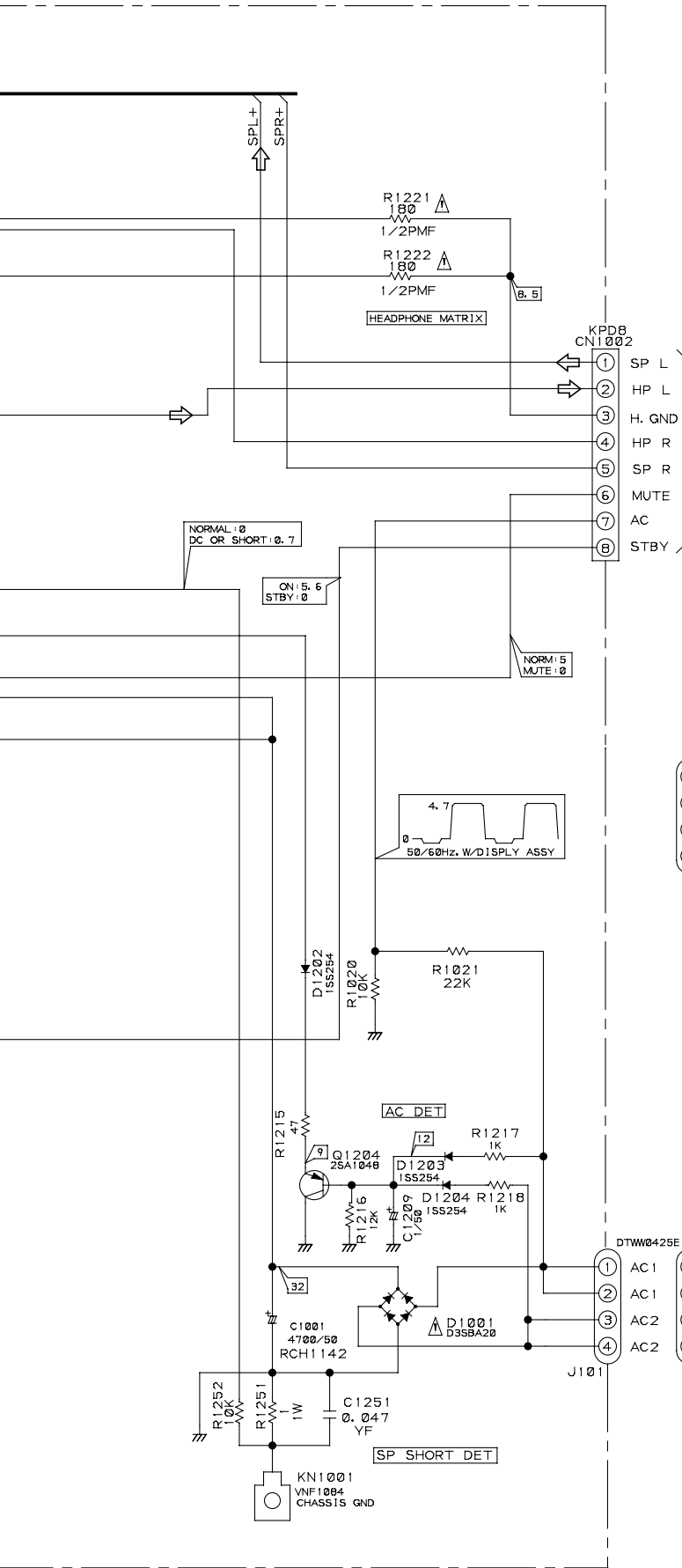
Indicated in Capacity (μF)/VOLTAGE (V) unless otherwise noted P:PF.

3. DIODES

No mark diode is 1SS254.





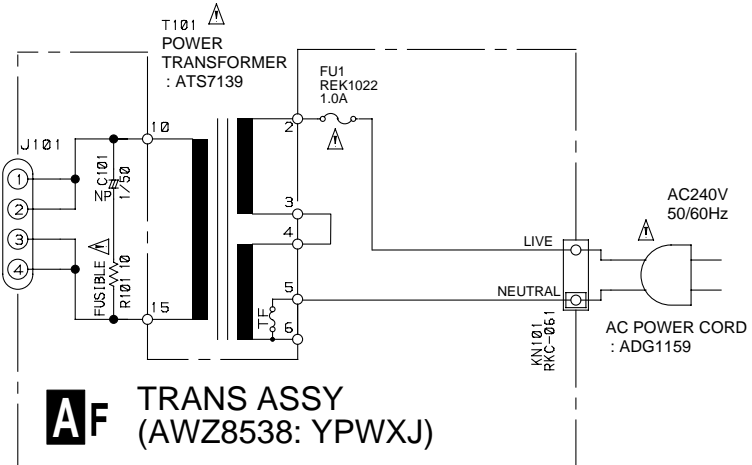


⇒ : AUDIO SIGNAL ROUTE

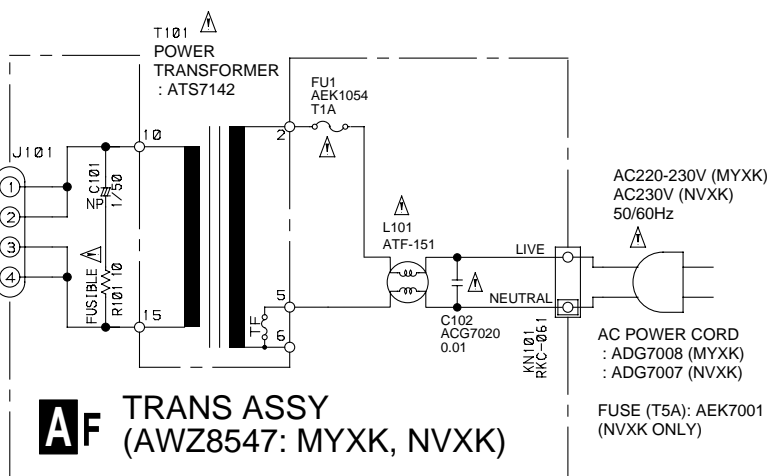
Notes:

1. Resistors  
Indicated in Ω, 1/4W ±5% tolerance unless otherwise noted.
2. Capacitors  
Indicated in capacity(μF)/voltage(V) unless otherwise noted.  
Indication without voltage is 50V.
3. Voltage  
DC voltage (V) at no input signal.
4. Others  
The ⚠ mark found on some component parts indicates the importance of the safety factor of the parts.  
Therefore, when replacing, be sure to use parts of identical designation.

**M**F  
J1201



**A**F  
TRANS ASSY  
(AWZ8538: YPWXJ)



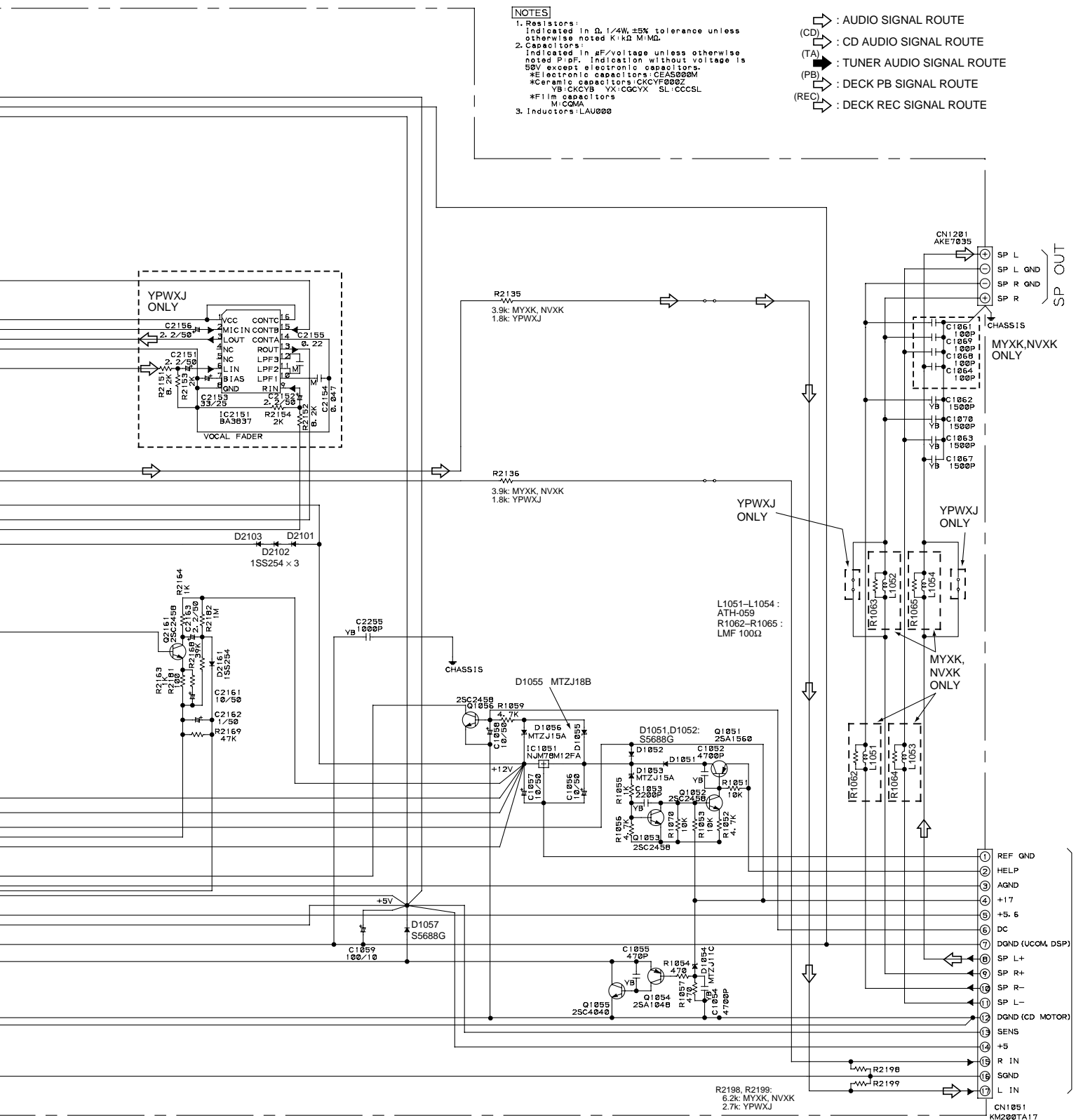
**A**F  
TRANS ASSY  
(AWZ8547: MYXK, NVXK)



NOTES

- 1. Resistors: Indicated in Ω, 1/4W, ±5% tolerance unless otherwise noted K:kΩ M:MΩ.
- 2. Capacitors: Indicated in μF/voltage unless otherwise noted P:pF. Indication without voltage is 50V except electronic capacitors. \*Ceramic capacitors:CKCYF000Z YB:CKCYB YX:CGCYX SL:CCCSL M:CCMA
- 3. Inductors:LAU000

- ↔ : AUDIO SIGNAL ROUTE
- (CD) ↔ : CD AUDIO SIGNAL ROUTE
- (TA) ↔ : TUNER AUDIO SIGNAL ROUTE
- (PB) ↔ : DECK PB SIGNAL ROUTE
- (REC) ↔ : DECK REC SIGNAL ROUTE



A

B

C

D

CF CN1001

3.4 DISPLAY, LAMP AND LCD ASSEMBLIES

A

B

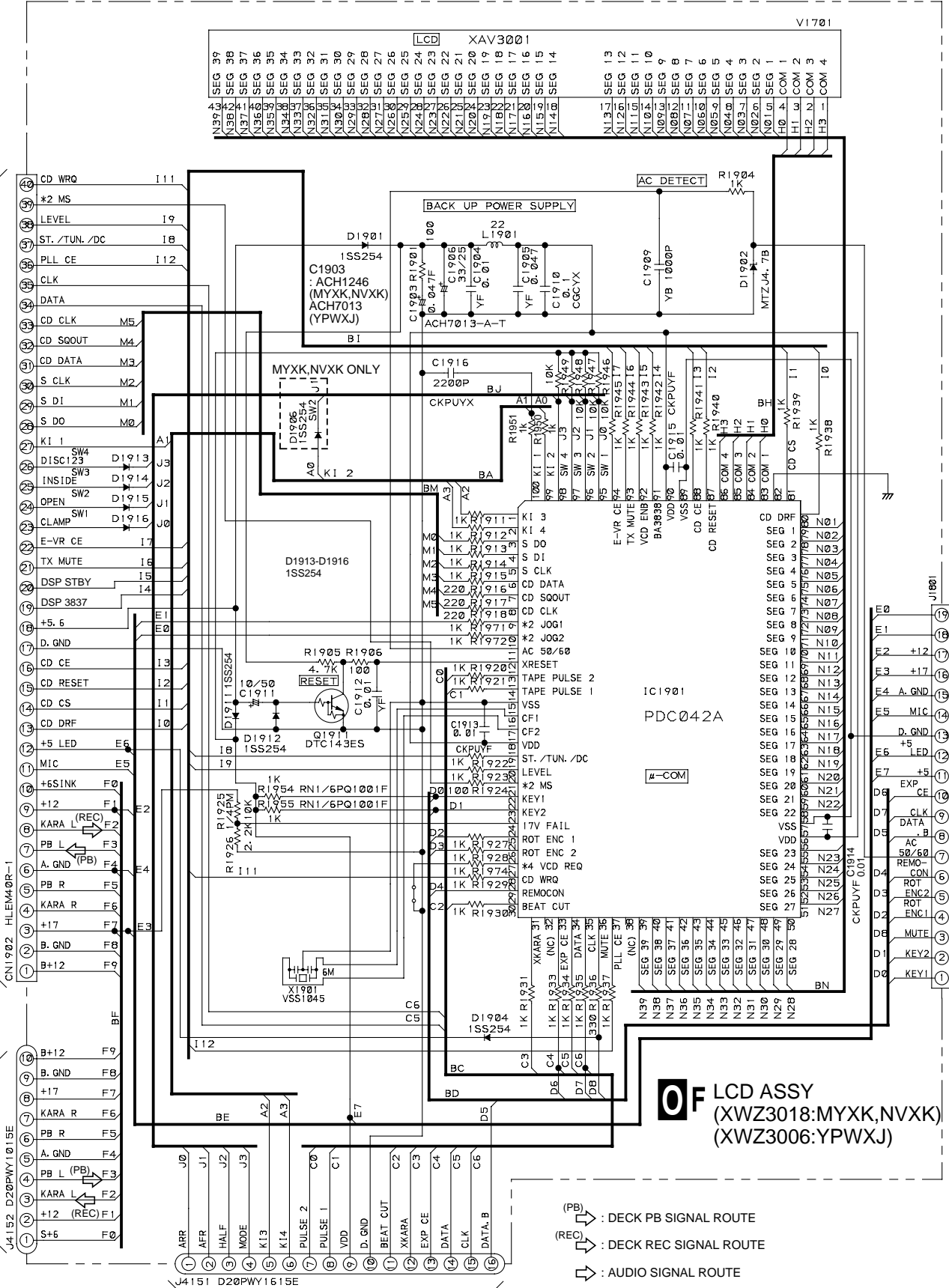
C

D

KF CN1053

IF CN4152

IF CN4151





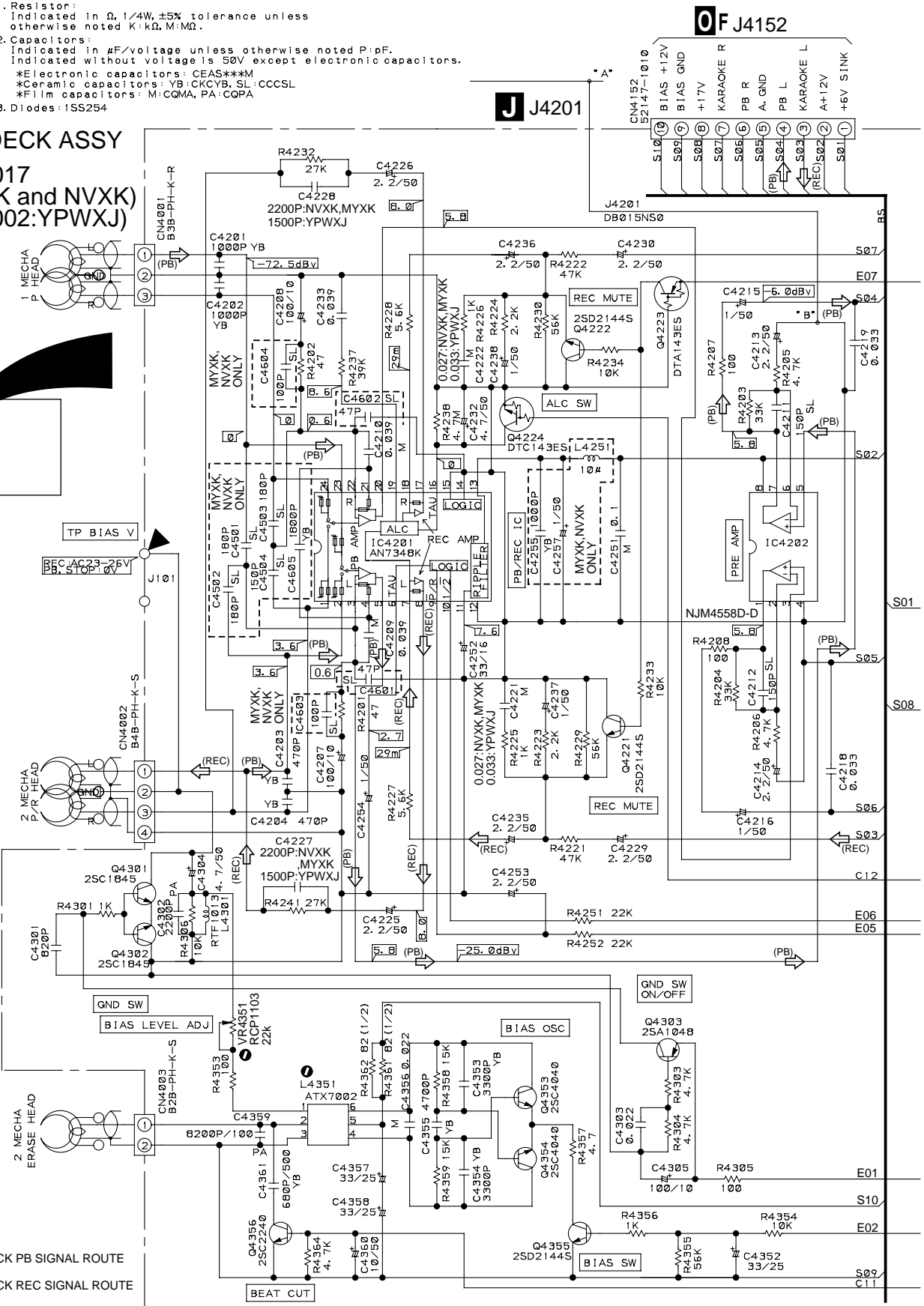
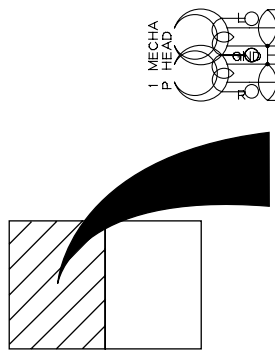


3.5 DECK ASSY

NOTES

- Resistor:  
Indicated in  $\Omega$ , 1/4W,  $\pm 5\%$  tolerance unless otherwise noted K:k $\Omega$ , M:M $\Omega$ .
- Capacitors:  
Indicated in  $\mu\text{F}$ /voltage unless otherwise noted P:pF.  
Indicated without voltage is 50V except electronic capacitors.  
\*Electronic capacitors: CEAS\*\*\*M  
\*Ceramic capacitors: YB:CKCYB, SL:CCCSL  
\*Film capacitors: M:COMA, PA:COQA
- Diodes: 1SS254

**F** DECK ASSY  
(XWZ3017  
:MYXK and NVXK)  
(XWZ3002:YPWXJ)



## 5. ADJUSTMENT

Note: Adjustment of MYXK, NVXK and YPWXJ types are the same as those of base model except for the following.

### 5.1 FM/AM TUNER MODULE (AXQ7077: MYXK and NVXK types only)

#### ■ FM Tuner Section

- Set the mode selector to FM BAND.
- Connect the wiring as shown in Fig. 1.

Step No.	Adjustment Title	FM SG (1kHz, $\pm 75$ kHz dev.)		Reception Frequency Display	Adjustment Location	Specifications
		Frequency (MHz)	Level (dB $\mu$ V)			
1	Front End Sensitivity	106	0 to 30	106 MHz	L6104 L6105 L6102 T6101	Adjust so that the DC voltage between the IC6201-Pin 20 and GND becomes at maximum level.
2	Stereo Distortion	98 (ON STEREO)	80	98 MHz	T6101	Minimize the distortion with 1/8 rotation of the core.
3	TUNED IND. Lighting Level	98	18 $\pm$ 2	98 MHz	VR6201	Adjust so that the indicator of TUNED IND. starts to light up.

Note: Before adjusting, make sure there is no gap between L6101 and L6102 as well as between L6103 and L6104. If there is a gap between them, bring them into contact with each other first, and then make adjustments.

#### ■ AM Tuner Section

- Set the mode selector to AM BAND.
- Connect the wiring as shown in Fig. 1.

Step No.	Adjustment Title	AM SG (400Hz, 30% Mod.)		Reception Frequency Display	Adjustment Location	Specifications
		Frequency (kHz)	Level (dB $\mu$ V/m)			
1	Front End Sensitivity	999*1	35 to 45	999kHz*1	T6201	Adjust so that the DC voltage between the IC6201-Pin 20 and GND becomes at maximum level.

\*1: For the area using 10kHz step, frequencies should be 1000 kHz.

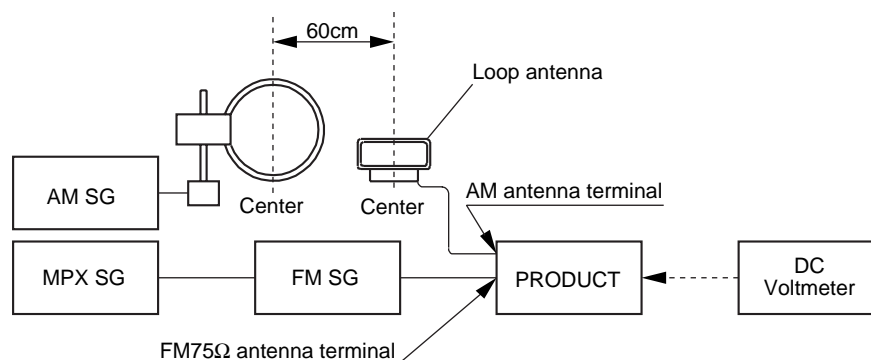


Fig. 1 AM and FM Adjustment Wiring Diagram

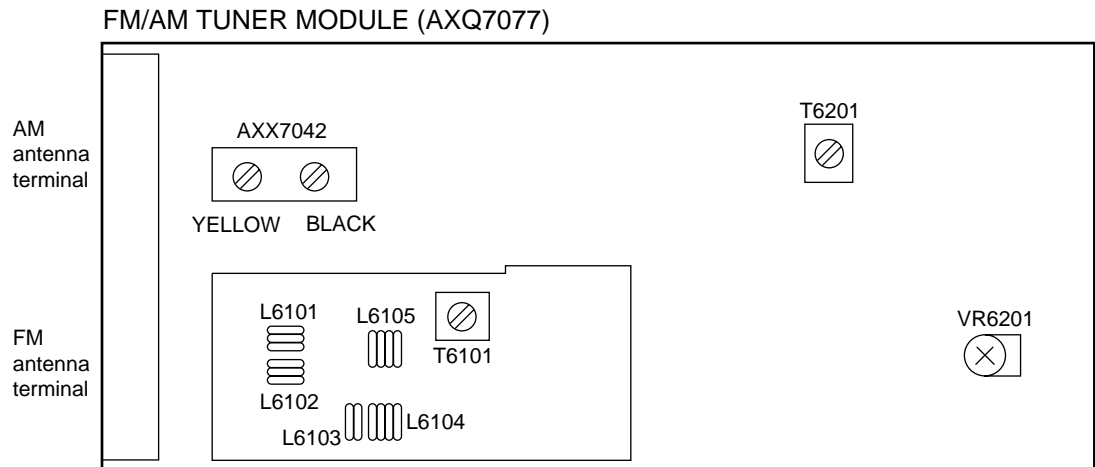


Fig. 2 Adjustment Point

## 5.2 POWER SECTION

### ■ Adjustment of Vp

Adjust VR1001 in the POWER Assy so that the voltage of Vp checking point W104 is  $17.5 \pm 0.1V$ .

Adjustment can be made when no load is applied while the power is turned ON and no signal is sent, as well as for the GND voltage or for the chassis.

Adjustment is required when the 5volte regurator, IC1001 (NJM78M05FA) in the POWER Assy are replaced.

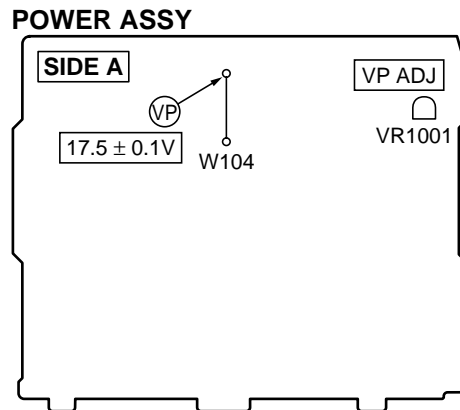


Fig. 3 Adjustment of Vp